

**81.600 G**



**Differential Pressure Transmitter for Dry, Clean Gases**

Application:

- ▶ filter monitoring

Characteristics:

- ▶ piezoresistive silicon sensor
- ▶ differential pressure range 10 ... 350 mbar



Technical Data

Pressure ranges							
Nominal pressure P <sub>N</sub> rel. [mbar] (differential, gauge pressure)	10	20	35	50	70	100	350
max. static pressure [mbar]	345	345	345	345	345	345	1000
Output signal / Supply							
2-wire	4 ... 20 mA			11 ... 32 V <sub>DC</sub>			
Performance							
Accuracy	≤ ± 1.5 % FSO						
Permissible load	R <sub>max</sub> = [(V <sub>S</sub> - V <sub>S min</sub> ) / 0.02 A] Ω						
Influence effects	supply: ≤ ± 0.1 % FSO/10V				load: ≤ ± 0.1 % FSO/kΩ		
Long term stability	≤ ± 0.5% FSO / year at reference conditions						
Measuring rate	1 kHz						
Thermal effects / Permissible temperatures							
Thermal error	≤ ± 0.3% FSO / 10 K (typ.) (for offset and span)						
in compensated range	0 ... 50 °C						
Permissible temperatures	medium: 0 ... 50°C electronics / environment: 0 ... 50°C storage: -10 ... 70°C						
Electrical protection							
Short-circuit protection	permanent						
Reverse polarity protection	no damage, but also no function						
Electromagnetic compatibility	emission and immunity according to EN 61326						
Materials							
Pressure port	brass, nickel-plated						
Housing	polycarbonate						
Sensor	ceramic, silicon, epoxy, RTV, silicone						
Media wetted parts	pressure port, PVC / silicone tube, sensor						

# 81.600 G

Differential Pressure Transmitter

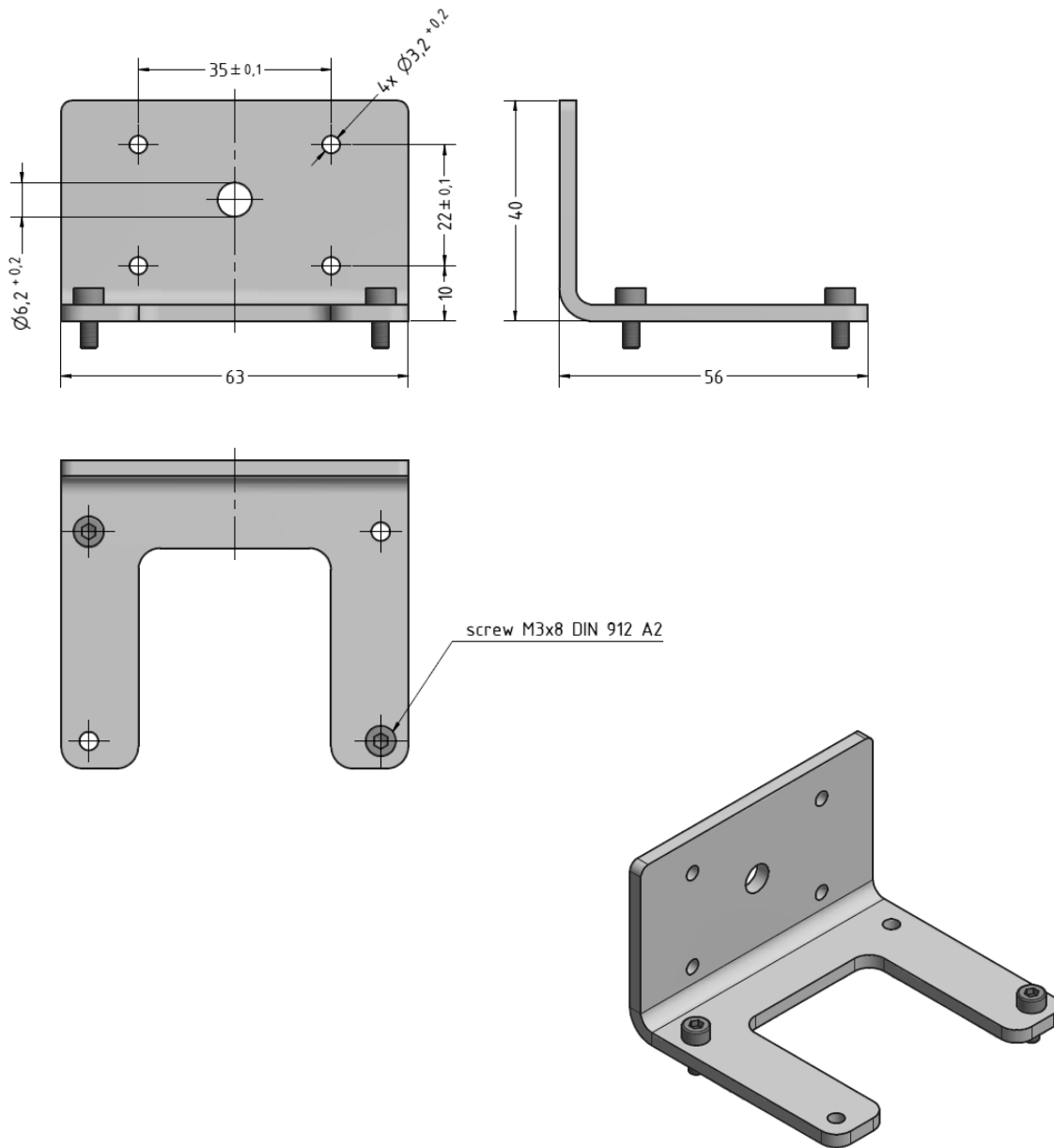
Accessory

Miscellaneous	
Current consumption	max. 22 mA
Ingress protection	IP 65
Weight	approx. 120 g
Installation position	pressure port vertically downwards <sup>1</sup>
<sup>1</sup> The devices are calibrated in a vertical position with the pressure connection down. If this position is changed on installation there can be slight deviations in the zero point.	
Mechanical connections (dimensions in mm)	
Standard	Ø 6.6 x 11 (for flex. tube with Ø 6)
Option	Ø 4.4 x 10 (for flex. tube with Ø 4)
Wiring diagram	
2-wire-system (current)	
Pin configuration	
Electrical connection	Plug ISO4400 (including cable socket and seal)
Supply +	2
Supply -	3
Shield	
Dimensions (mm / in)	

# 81.600 G

Differential Pressure Transmitter

## Assembly angle (dimensions in mm)



© 2018 BD|SENSORS GmbH – The specifications given in this document represent the state of engineering at the time of publishing. We reserve the right to make modifications to the specifications and materials.

81.600G\_E\_310718

Tel +49 (0) 92 35 / 98 11- 0  
Fax +49 (0) 92 35 / 98 11- 11

www.bdsensors.com  
info@bdsensors.de

**BD|SENSORS**  
pressure measurement

